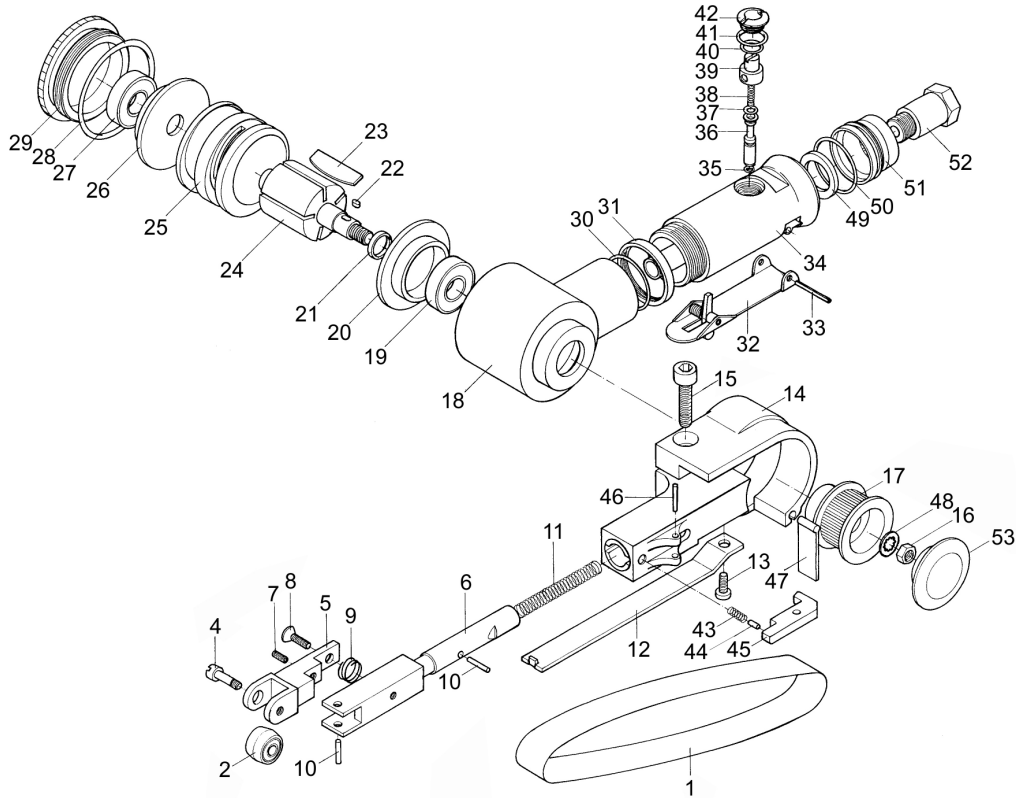


BG10 Belt Grinder (Belt Sander)

Pneumatic. Operating 10 x 30mm belts.



Part No.	Description	Q'ty	Part No.	Description	Q'ty
702C001	Abrasive Belt		702C028	O-Ring	1
702C002	Idle Pulley Sub Assy	1 set	702C029	Motor Nut	1
702C004	Idle Pulley Shaft	1	702C030	O-Ring	1
702C005	Bracket	1	702C031	Lock Nut	1
702C006	Tension Bar	1	702C032	Throttle Lever	1
702C007	Hexagon Socket Headless Set Screw 3x6	1	702C033	Lever Pin	1
702C008	Screw 3x8	1	702C034	Motor Housing	1
702C009	Spring 1.0x7.2x6.5	1	702C035	O-Ring	1
702C010	Spring Pin 3x10	2	702C036	Valve Stem	1
702C011	Spring 1.0x4.0x35.5	1	702C037	O-Ring	1
702C012	Shoe	1	702C038	Valve Spring	1
702C013	Screw 4x8	1	702C039	Air Controller	1
702C014	Guard Sub Assy A	1	702C040	O-Ring	1
702C015	Hexagon Socket Head Bolt 5x12	1	702C041	O-Ring	1
702C016	Hexagon Nut M6	1	702C042	Valve Screw	1
702C017	Drive Pulley	1	702C043	Spring	1
702C018	Housing	1	702C044	Lever Pin	1
702C019	Ball Bearing	1	702C045	Tension Bar	1
702C020	Front End Plate	1	702C046	Lever Pin	1
702C021	Spacer	1	702C047	Dust Cover	1
702C022	Sunk Key	1	702C048	Washer	1
702C023	Rotor Blade (Set of 5)	1 set	702C049	Silencer	1
702C024	Rotor	1	702C050	O-Ring	1
702C025	Cylinder	1	702C051	Air Controller	1
702C026	Rear Plate	1	702C052	Air Inlet	1
702C027	Ball Bearing	1	702C053	Cap	1