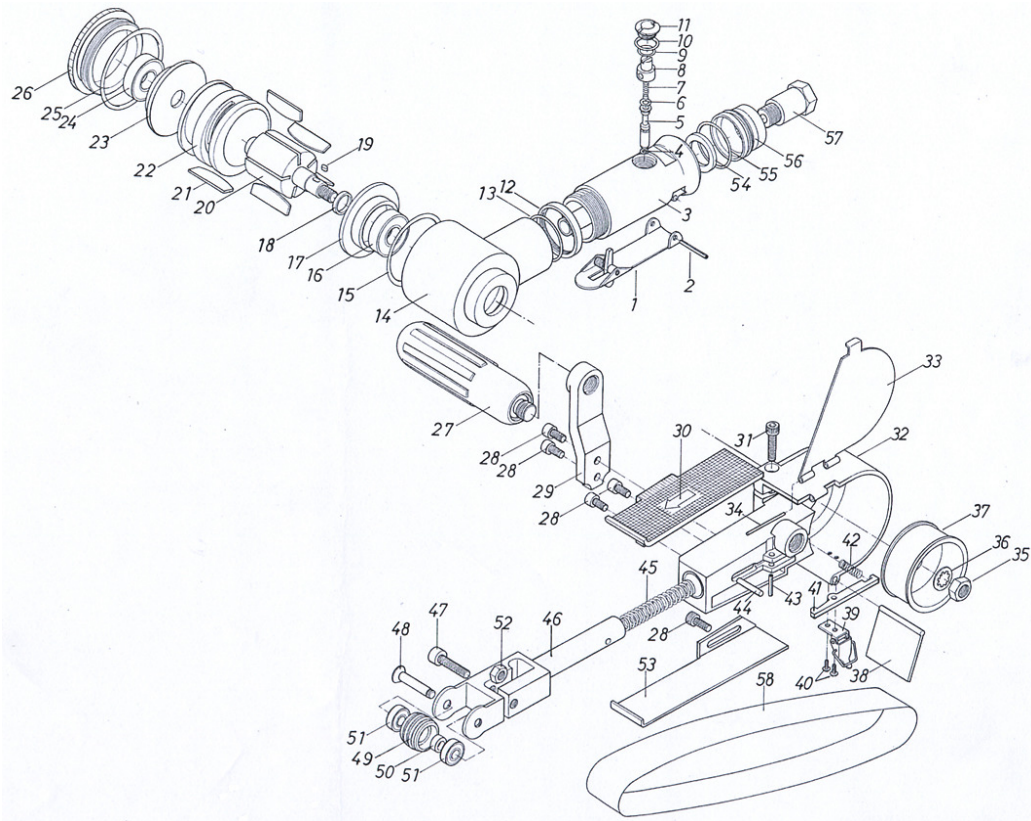


# BG 30 Belt Grinder (30 x 540 mm Belts)



Part No	Description	QTY	Part No	Description	QTY	Part No	Description	QTY
730001	Throttle Lever	1	730021	Rotor Blade - set of 5	1 set	730041	Stopper	1
730002	Lever Pin	1	730022	Cylinder	1	730042	Stopper Spring	1
730003	Motor Housing	1	730023	Rear End Plate	1	730043	Roll Pin	1
730004	O-Ring	1	730024	Ball Bearing	1	730044	Stopper Pin	1
730005	Valve Stem	1	730025	O-Ring	1	730045	Tension Spring	1
730006	O-Ring	1	730026	Motor Nut	1	730046	Tension Arm	1
730007	Valve Spring	1	730027	Handle	1	730047	Counter Sink	1
730008	Air Controller	1	730028	Cap Screw	5	730048	Idle Shaft Screw	1
730009	O-Ring	1	730029	Handle Braket	1	730049A	Wheel Sub Assembly (includes 49,50,51)	1
730010	O-Ring	1	730030	Finger Plate	1	730049	Wheel - see 730049A	
730011	Valve Screw	1	730031	Adjust Screw	1	730050	Collar - see 730049A	
730012	Lock Nut	1	730032	Wheel Cover Incl. Spacer	1	730051	Ball Bearing - see 730049A	
730013	O-Ring	1	730033	Wheel Cover Lid	1	730052	Lock Nut	1
730014	Housing	1	730034	Roll Pin	1	730053	Shoe	1
730015	O-Ring	1	730035	Lock Nut	1	730054	Silencer	1
730016	Ball Bearing	1	730036	Washer	1	730055	O-Ring	1
730017	Front End Plate	1	730037	Drive Pulley	1	730056	Air Deflector	1
730018	Spacer	1	730038	Dust Cover	1	730057	Air Inlet	1
730019	Key	1	730039	Cover Latch	1	730058	Grinding Belt	
730020	Rotor	1	730040	Cap Screw	2			