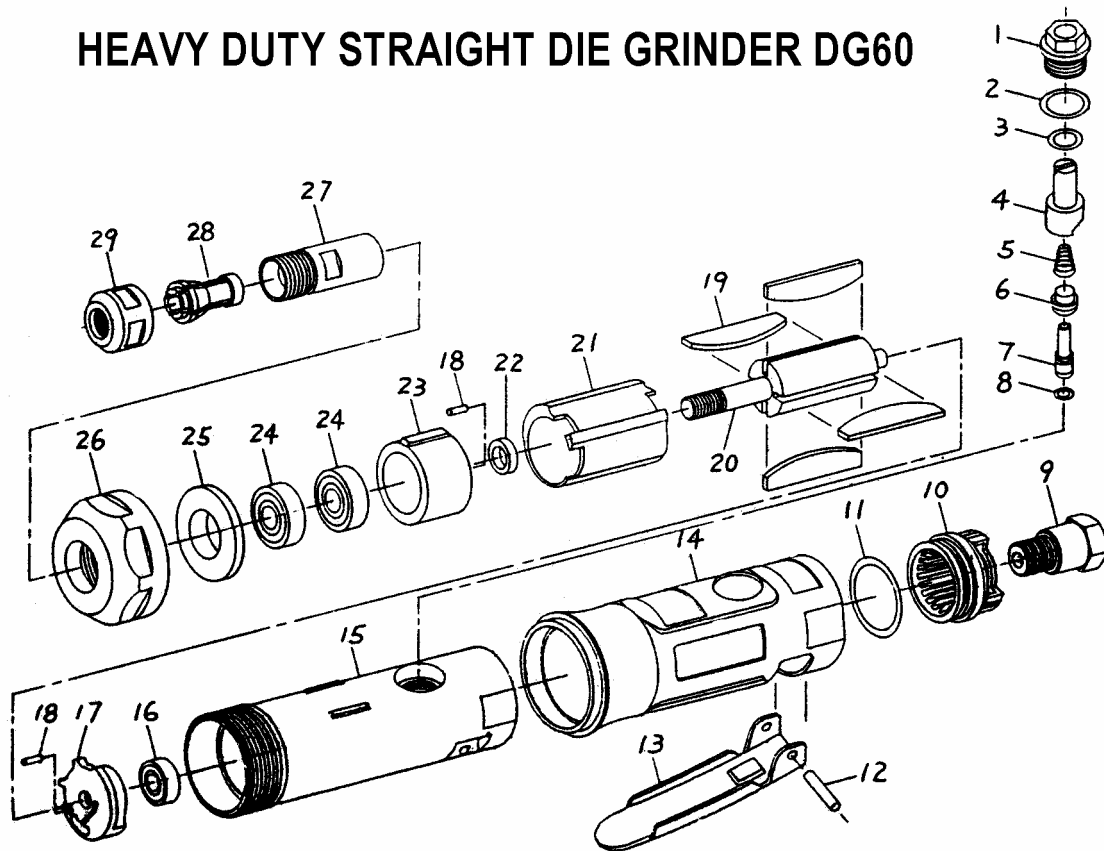


HEAVY DUTY STRAIGHT DIE GRINDER DG60



Part No.	Description	Qty.	Part No.	Description	Qty.
DG0001	Screw	1	DG0021	Cylinder	1
DG0002	O-Ring	1	DG0022	Bearing Spacer	1
DG0003	O-Ring	1	DG0023	Front Plate	1
DG0004	Air Regulator	1	DG0024	Ball Bearing	2
DG0005	Spring	1	DG6025	Washer	1
DG0006	Valve Stem Bushing	1	DG6026	Clamp Nut	1
DG0007	Valve Stem	1	DG6027	Spindle	1
DG0008	O-Ring	1	DG06C	Collet 6mm	1
DG0009	Air Inlet	1	DG03C	Collet 3mm	1
DG0010	Exhaust Sleeve	1	DG6029	Collet Nut	1
DG0011	O-Ring	1	DG0250C	Collet 1/4" (0.250")	1
DG0012	Pin	1	DG0125C	Collet 1/8" (0.125")	1
DG0013	Lever	1			
DG0014	Rubber Sleeve	1			
DG0015	Housing	1			
DG0016	Ball Bearing	1			
DG0017	Rear Plate	1			
DG0018	Steel Balls	2			
DG0019	Set of 4 Vanes	1			
DG0020	Rotor	1			

DG03C Collet 3mm
 DG06C Collet 6mm

DG0250C Collet 1/4" (0.250")
 DG0125C Collet 1/8" (0.125")