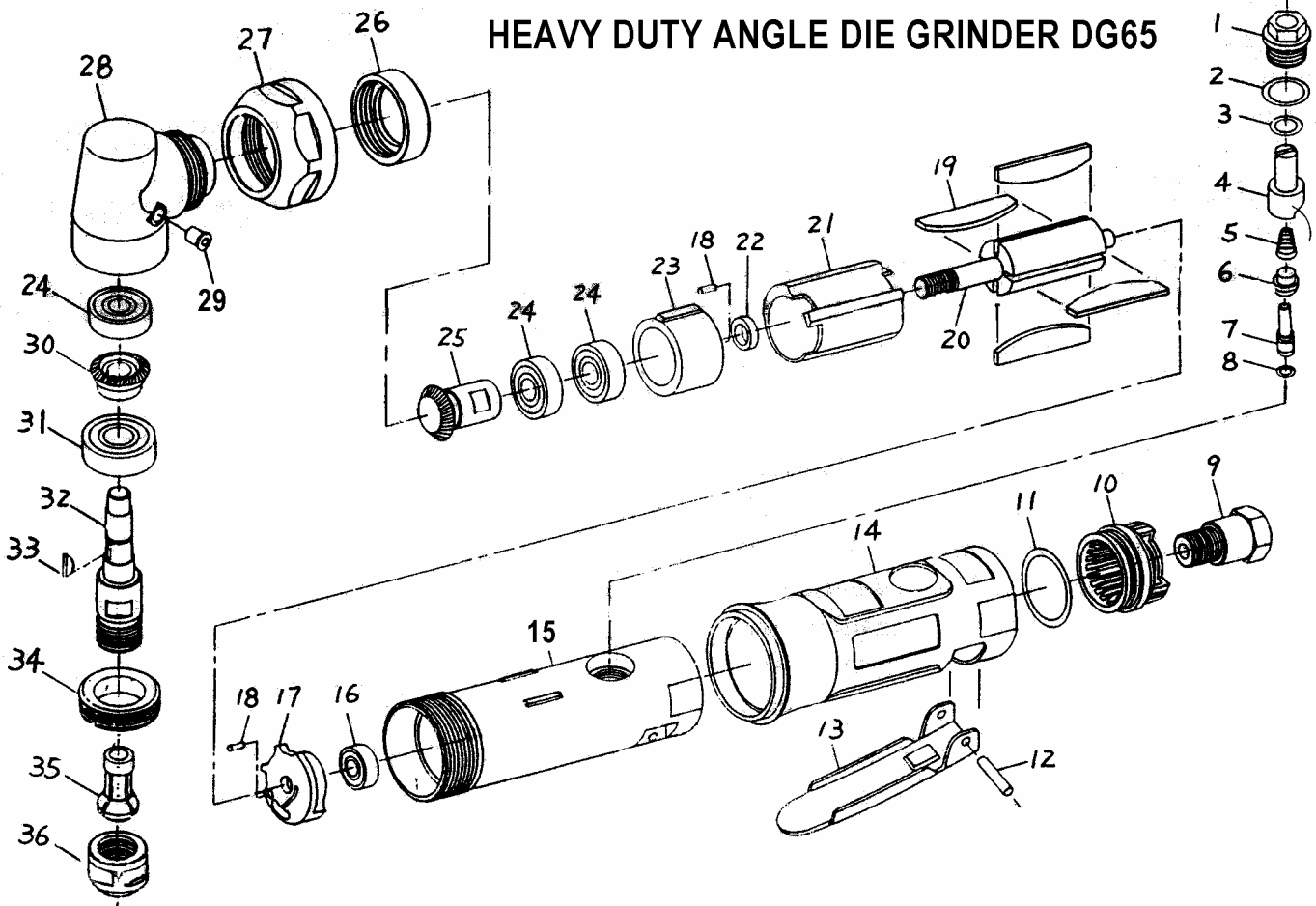


# HEAVY DUTY ANGLE DIE GRINDER DG65



Part No.	Description	Qty.	Part No.	Description	Qty.
DG0001	Screw	1	DG0021	Cylinder	1
DG0002	O-Ring	1	DG0022	Bearing Spacer	1
DG0003	O-Ring	1	DG0023	Front Plate	1
DG0004	Air Regulator	1	DG0024	Ball Bearing	2
DG0005	Spring	1	DG6525A	Bevel Gear (90 degrees)	1
DG0006	Valve Stem Bushing	1	DG6525B	Bevel Gear (100 degrees)	1
DG0007	Valve Stem	1	DG6526	Nut	1
DG0008	O-Ring	1	DG6527	Clamp Nut	1
DG0009	Air Inlet	1	DG6528A	Angle Housing (90 degrees)	1
DG0010	Exhaust Sleeve	1	DG6528B	Angle Housing (100 degrees)	1
DG0011	O-Ring	1	DG6529	Oil Cup	1
DG0012	Pin	1	DG6530A	Bevel Gear (90 degrees)	1
DG0013	Lever	1	DG6530B	Bevel Gear (100 degrees)	1
DG0014	Rubber Sleeve	1	DG6531	Ball Bearing	1
DG0015	Housing	1	DG6532	Shaft	1
DG0016	Ball Bearing	1	DG6533	Steel Ball	1
DG0017	Rear Plate	1	DG6534	Clamp Nut	1
DG0018	Steel Balls	2	DG06C	Collett 6mm	1
DG0019	Set of 4 Vanes	1	DG03C	Collett 3mm	1
DG0020	Rotor	1	DG6536	Collett Nut	1

DG03C Collet 3mm  
 DG06C Collet 6mm

DG0250C Collet 1/4" (0.250")  
 DG0125C Collet 1/8" (0.125")